

(12) **United States Design Patent** (10) **Patent No.:** **US D789,925 S**  
**Browning et al.** (45) **Date of Patent:** **\*\* Jun. 20, 2017**

(54) **ELECTRONIC DEVICE WITH FOLDABLE DISPLAY PANELS**

**DESCRIPTION**

(71) Applicant: **Intel Corporation**, Santa Clara, CA (US)  
 (72) Inventors: **David W. Browning**, Portland, OR (US); **Aleksander Magi**, Aloha, OR (US); **Joshua L. Zuniga**, Damascus, OR (US); **Rajiva K. Sarraju**, Portland, OR (US); **Guy M. Therien**, Beaverton, OR (US); **Saara Kamppari**, Portland, OR (US); **Audrey C. Younkin**, Beaverton, OR (US)  
 (73) Assignee: **Intel Corporation**, Santa Clara, CA (US)  
 (\*\*) Term: **15 Years**  
 (21) Appl. No.: **29/531,588**  
 (22) Filed: **Jun. 26, 2015**  
 (51) **LOC (10) Cl.** ..... **14-02**  
 (52) **U.S. Cl.**  
 USPC ..... **D14/341**  
 (58) **Field of Classification Search**  
 USPC ..... D14/341-347, 137, 138 R, 138 AA, D14/138 AB, 138 C, 138 G, 203.1, 203.3,  
 (Continued)

(56) **References Cited**

U.S. PATENT DOCUMENTS

D271,732 S \* 12/1983 Ytter ..... D6/332  
 D384,656 S \* 10/1997 Caramanoff ..... D14/440  
 (Continued)

*Primary Examiner* — Barbara Fox  
*Assistant Examiner* — Dana K Weiland  
 (74) *Attorney, Agent, or Firm* — Patent Capital Group

(57) **CLAIM**

The ornamental design for an electronic device with foldable display panels, as shown and described.

FIG. 1 is a perspective view of an electronic device with foldable display panels in a folded configuration showing the claimed design in a first embodiment;  
 FIG. 2 is a front view thereof;  
 FIG. 3 is a back view thereof;  
 FIG. 4 is a top view thereof in a state of use where a graphic is shown;  
 FIG. 5 is a bottom view thereof;  
 FIG. 6 is a right side view thereof;  
 FIG. 7 is a left side view thereof;  
 FIG. 8 is another perspective view of an electronic device with foldable display panels in an alternate configuration;  
 FIG. 9 is a front view thereof in a state of use where a graphic is shown;  
 FIG. 10 is a back view thereof;  
 FIG. 11 is a top view thereof in a state of use where a graphic is shown;  
 FIG. 12 is bottom view thereof;  
 FIG. 13 is a right side view thereof;  
 FIG. 14 is a left side view thereof;  
 FIG. 15 is another perspective view of an electronic device with foldable display panels in an alternate configuration in a state of use where a graphic is shown;  
 FIG. 16 is another perspective view of an electronic device with foldable display panels in an alternate partially folded configuration;  
 FIG. 17 is a front view thereof;  
 FIG. 18 is another perspective view of an electronic device with foldable display panels in an alternate partially folded configuration in a state of use where a graphic is shown;  
 FIG. 19 is a front view thereof;  
 FIG. 20 is another perspective view of an electronic device with foldable display panels in an alternate configuration in a state of use where a graphic is shown;  
 FIG. 21 is a right side view thereof;  
 FIG. 22 is another perspective view of an electronic device with foldable display panels in an alternate open configuration in a state of use where a graphic is shown;  
 FIG. 23 is a bottom view thereof;  
 FIG. 24 is a front view thereof;

(Continued)

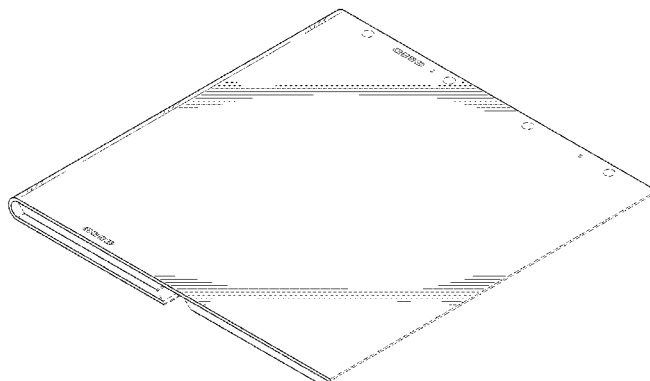
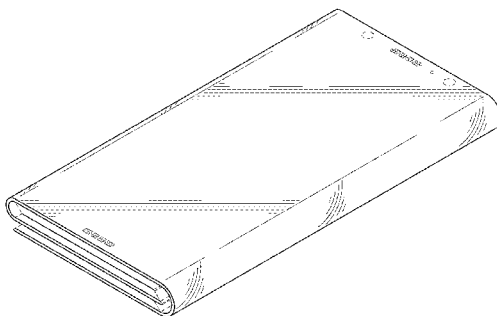


FIG. 25 is a perspective view of an electronic device with foldable display panels in a folded configuration showing the claimed design in a second embodiment in a state of use where a graphic is shown;

FIG. 26 is another perspective view thereof with a stylus partially removed;

FIG. 27 is another perspective view thereof with a stylus; and,

FIG. 28 is a front view thereof.

The broken lines of the FIGURES form no part of the claimed design. The broken lines intersected by oblique line shading illustrate displayable graphics that form no part of the claimed design. The long broken lines adjacent to curved edges represent contour and not surface ornamentation. The other broken lines and the unshaded regions bounded by such broken lines of the preceding FIGURES illustrate boundaries and, therefore, form no part of the claimed design. The vertical line shading in FIGS. 8, 15, and 23 indicate that the portions including the vertical line shading are part of the claimed design. Any other non-oblique line shading is meant to show contour and not surface ornamentation.

**1 Claim, 24 Drawing Sheets**

(58) **Field of Classification Search**

USPC ..... D14/203.4, 203.7, 129, 130, 147, 218,  
D14/247, 248, 332, 388, 389, 315-318,  
D14/420, 426, 429, 489, 492, 496;  
D10/50, 65, 104.1; D18/6; D21/329,  
D21/330; D6/308, 310  
CPC .... G06F 1/1613; G06F 1/1647; G06F 1/1641;  
G06F 3/04883; G06F 3/0486; G06F  
3/04847; G06F 3/04845; G06F 3/04817;  
G06F 3/0484; H04M 1/0279; H04M  
1/0281; H04M 1/0283; A63H 33/3016  
See application file for complete search history.

(56) **References Cited**

U.S. PATENT DOCUMENTS

5,722,477 A \* 3/1998 Richter ..... A47G 5/00  
160/135  
D406,468 S \* 3/1999 Byers ..... D6/301  
D415,619 S \* 10/1999 Gandy ..... D6/300  
D477,634 S \* 7/2003 Malone ..... D19/26  
D490,808 S \* 6/2004 Khachikian ..... D14/345  
D544,922 S \* 6/2007 Shaffer ..... D20/10  
D576,601 S \* 9/2008 Yasuda ..... D14/138 AB  
D594,028 S \* 6/2009 Fuchsberg ..... D14/496  
D599,761 S \* 9/2009 Birsel ..... D14/138 AB  
D630,607 S \* 1/2011 Li ..... D14/138 AB  
D638,833 S \* 5/2011 Chuang ..... D14/315  
D650,380 S \* 12/2011 Ballout ..... D14/331  
8,738,101 B1 \* 5/2014 Myr ..... H04M 1/0214  
379/330  
D716,304 S \* 10/2014 Orthey ..... D14/385  
D719,540 S \* 12/2014 Lee ..... D14/138 AB  
D719,542 S \* 12/2014 Lee ..... D14/138 AB  
8,947,320 B2 \* 2/2015 King ..... G06F 1/1616  
345/1.1  
9,013,368 B1 \* 4/2015 Kim ..... G06F 3/1446  
345/1.1

D741,856 S \* 10/2015 Yamazaki ..... D14/341  
D745,006 S \* 12/2015 Hirakata ..... D14/341  
D745,516 S \* 12/2015 Yamazaki ..... D14/341  
D746,285 S \* 12/2015 Okabe ..... D14/345  
D749,575 S \* 2/2016 Park ..... D14/203.4  
D750,064 S \* 2/2016 Yamazaki ..... D14/341  
D754,122 S \* 4/2016 Oakley ..... D14/336  
9,377,817 B2 \* 6/2016 Eguchi ..... G06F 1/1652  
9,424,790 B2 \* 8/2016 Cho ..... G06F 1/3265  
9,429,997 B2 \* 8/2016 Myers ..... G06F 1/1652  
9,430,184 B2 \* 8/2016 Cho ..... G06F 1/1652  
D768,231 S \* 10/2016 Kirsh ..... D17/2  
D768,624 S \* 10/2016 Bae ..... D14/331  
D770,446 S \* 11/2016 Cho ..... D14/341  
D770,447 S \* 11/2016 Endo ..... D14/341  
2004/0051679 A1 \* 3/2004 Ponx ..... G06F 1/1616  
345/1.1  
2005/0099361 A1 \* 5/2005 Majer ..... G06F 1/1616  
345/1.3  
2007/0072657 A1 \* 3/2007 Hyun ..... H04M 1/0247  
455/575.3  
2008/0022841 A1 \* 1/2008 Braun ..... G09B 15/026  
84/483.2  
2009/0000169 A1 \* 1/2009 Houssain ..... G09F 15/0068  
40/605  
2010/0041439 A1 \* 2/2010 Bullister ..... G06F 1/1615  
455/566  
2010/0064244 A1 \* 3/2010 Kilpatrick, II ..... G06F 1/1616  
715/773  
2010/0067181 A1 \* 3/2010 Bair ..... G06F 1/1616  
361/679.3  
2010/0117975 A1 \* 5/2010 Cho ..... G06F 1/1626  
345/173  
2011/0090155 A1 \* 4/2011 Caskey ..... G06F 1/1641  
345/173  
2011/0188189 A1 \* 8/2011 Park ..... G05B 11/01  
361/679.05  
2013/0010405 A1 \* 1/2013 Rothkopf ..... H04M 1/0216  
361/679.01  
2013/0077228 A1 \* 3/2013 Batio ..... G06F 1/1641  
361/679.29  
2013/0250492 A1 \* 9/2013 Wong ..... G06F 1/1641  
361/679.01  
2013/0265221 A1 \* 10/2013 Lee ..... G06F 3/01  
345/156  
2013/0321340 A1 \* 12/2013 Seo ..... G06F 1/1641  
345/174  
2014/0152576 A1 \* 6/2014 Kim ..... G06F 3/03545  
345/169  
2015/0016126 A1 \* 1/2015 Hirakata ..... F21V 15/012  
362/418  
2015/0062927 A1 \* 3/2015 Hirakata ..... G09F 9/301  
362/362  
2015/0116917 A1 \* 4/2015 Aono ..... G06F 1/1681  
361/679.04  
2015/0178035 A1 \* 6/2015 Loo ..... G06F 3/1431  
345/600  
2015/0193009 A1 \* 7/2015 Sharma ..... G06F 1/1616  
345/169  
2015/0338888 A1 \* 11/2015 Kim ..... G06F 1/1677  
345/156  
2015/0378397 A1 \* 12/2015 Park ..... G06F 1/1652  
361/679.27  
2015/0378557 A1 \* 12/2015 Jeong ..... G06F 3/0488  
715/835  
2016/0034047 A1 \* 2/2016 Lee ..... G09G 5/373  
345/156  
2016/0062408 A1 \* 3/2016 Lee ..... G06F 1/1641  
345/173

\* cited by examiner

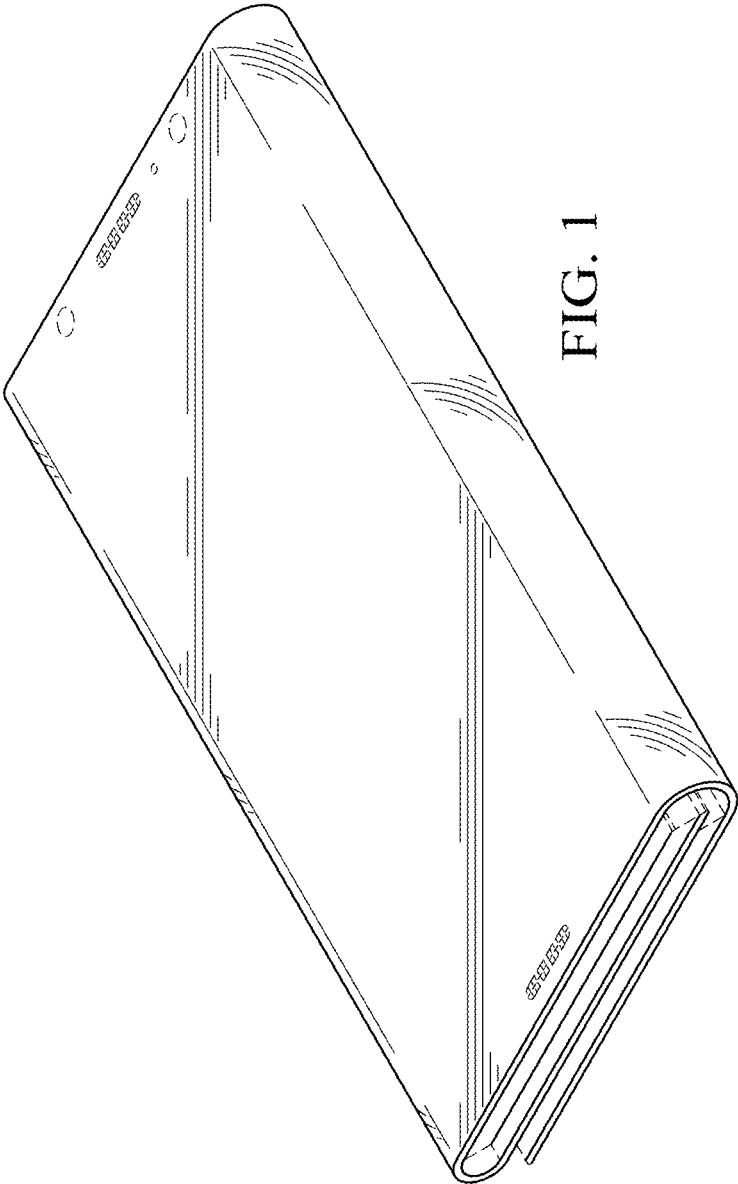


FIG. 1

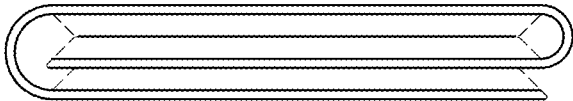


FIG. 2

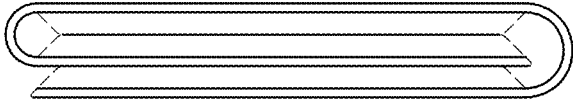


FIG. 3

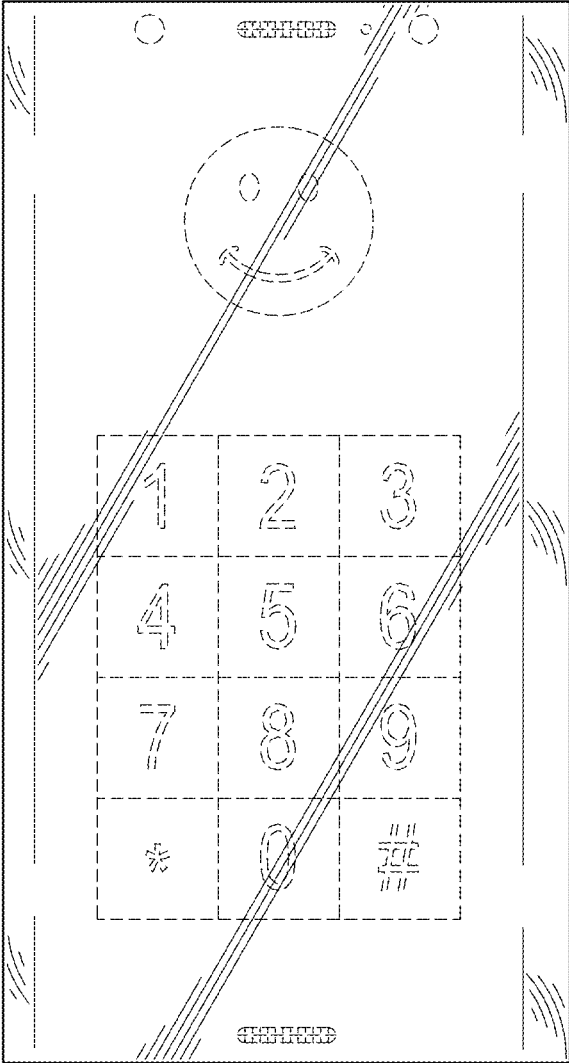


FIG. 4

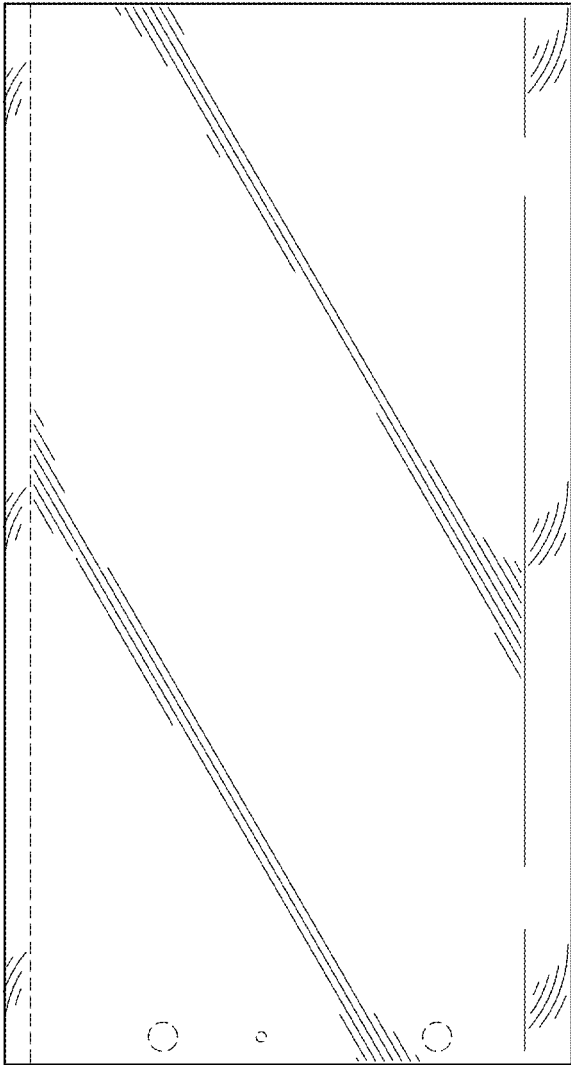


FIG. 5



FIG. 6

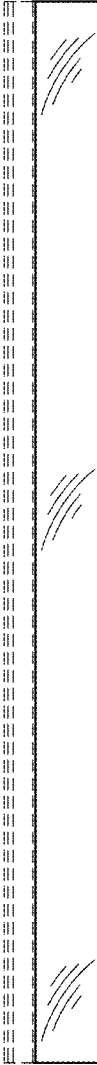


FIG. 7

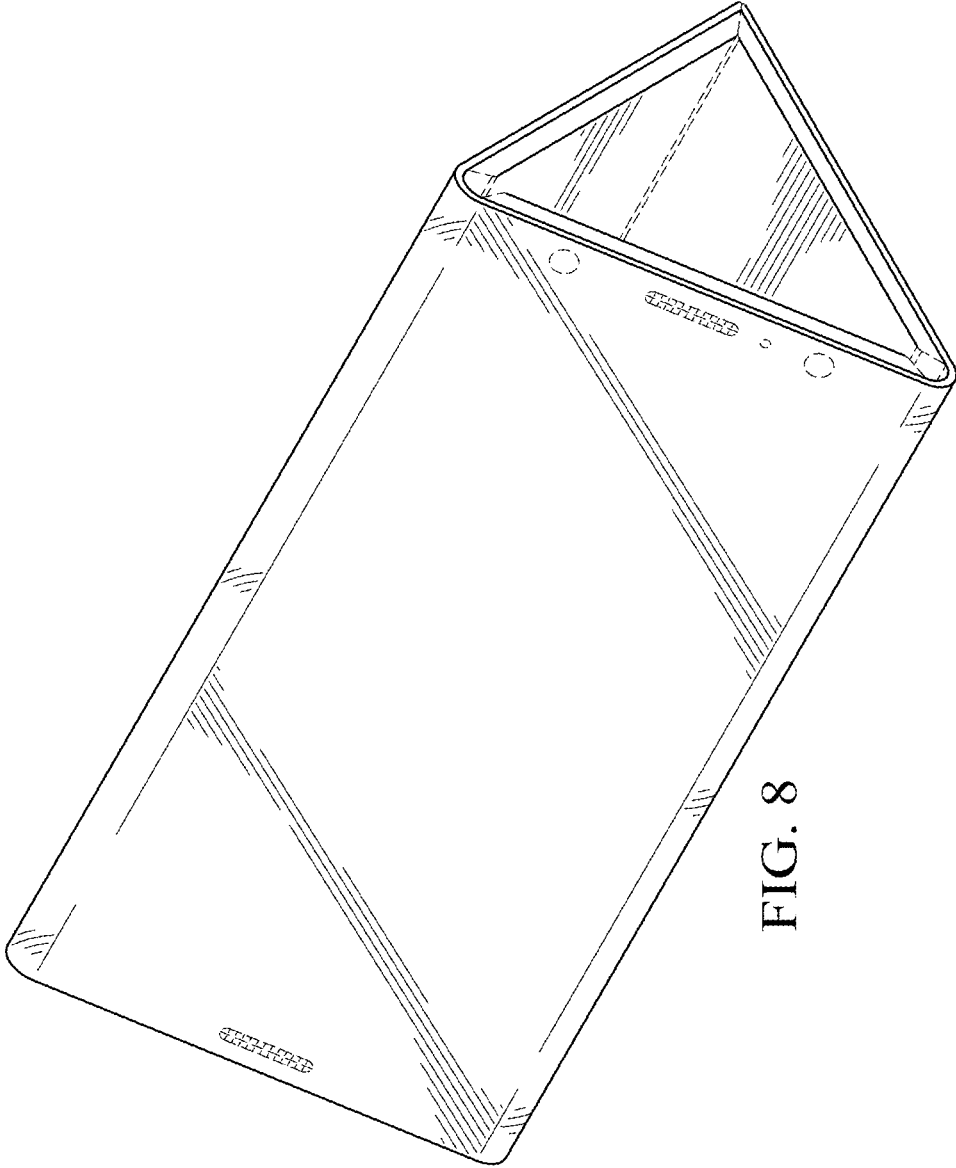


FIG. 8



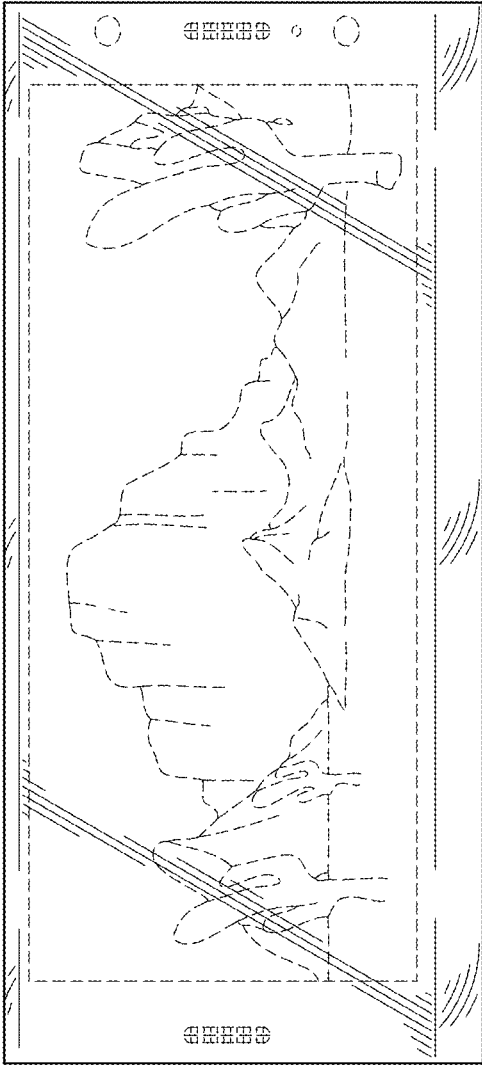


FIG. 9

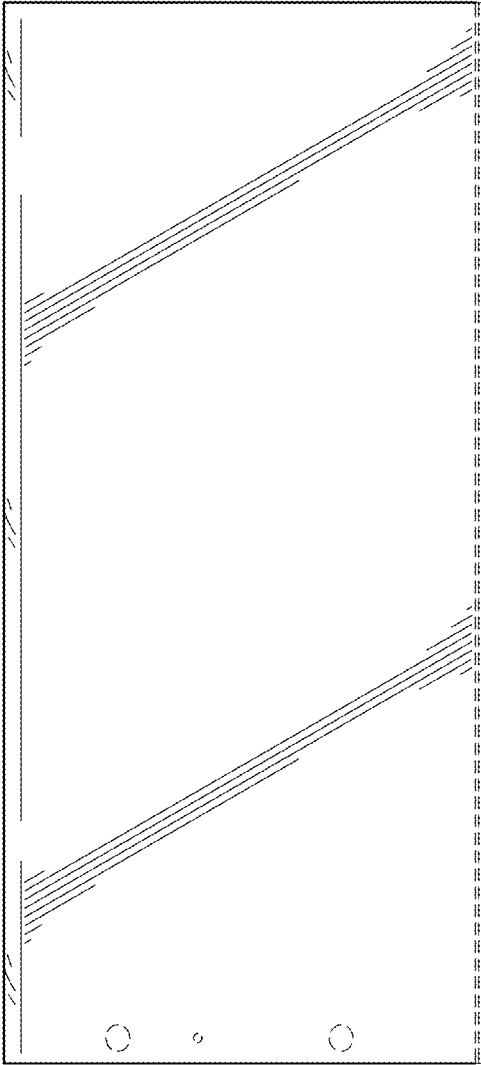


FIG. 10

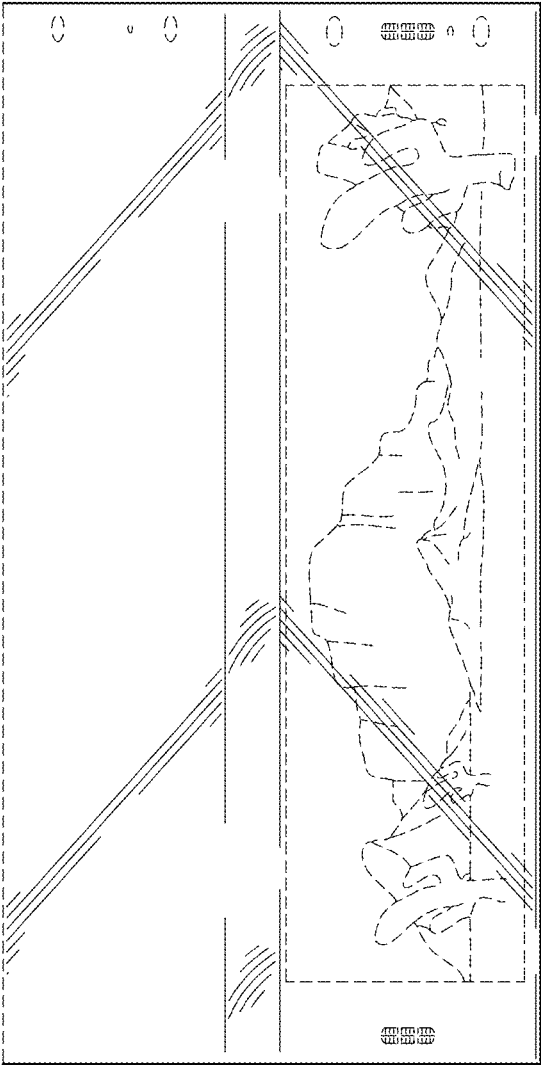


FIG. 11

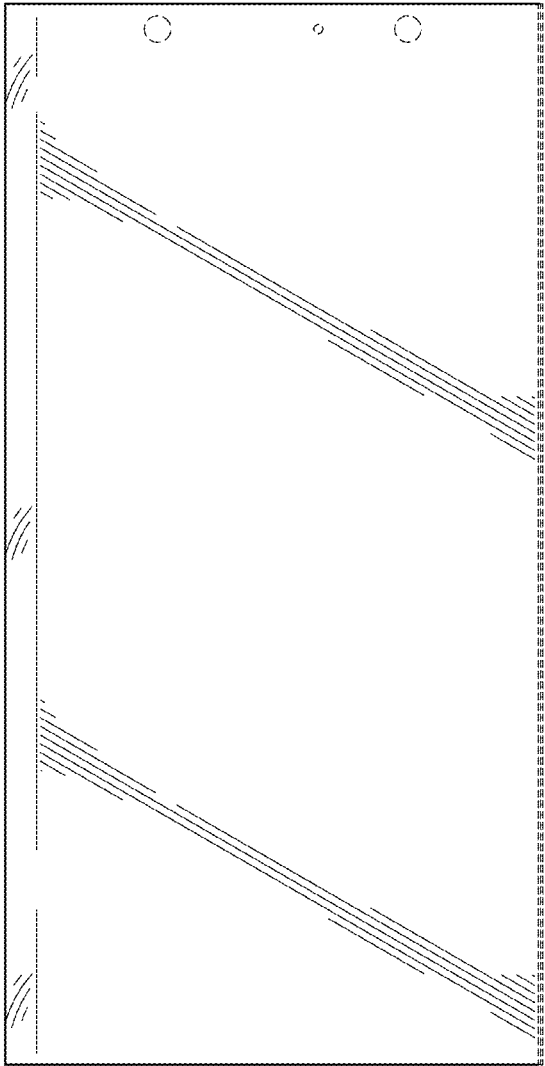


FIG. 12

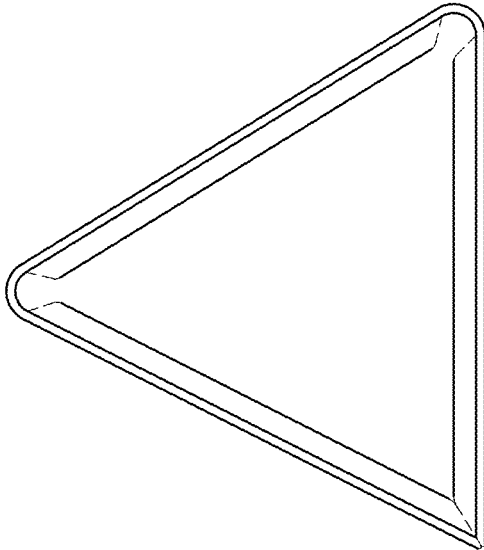


FIG. 14

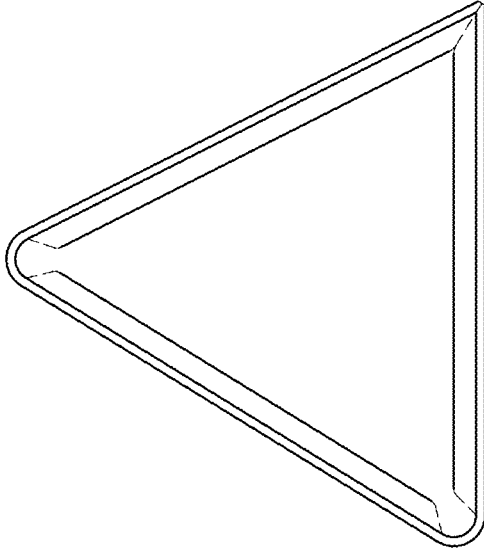


FIG. 13

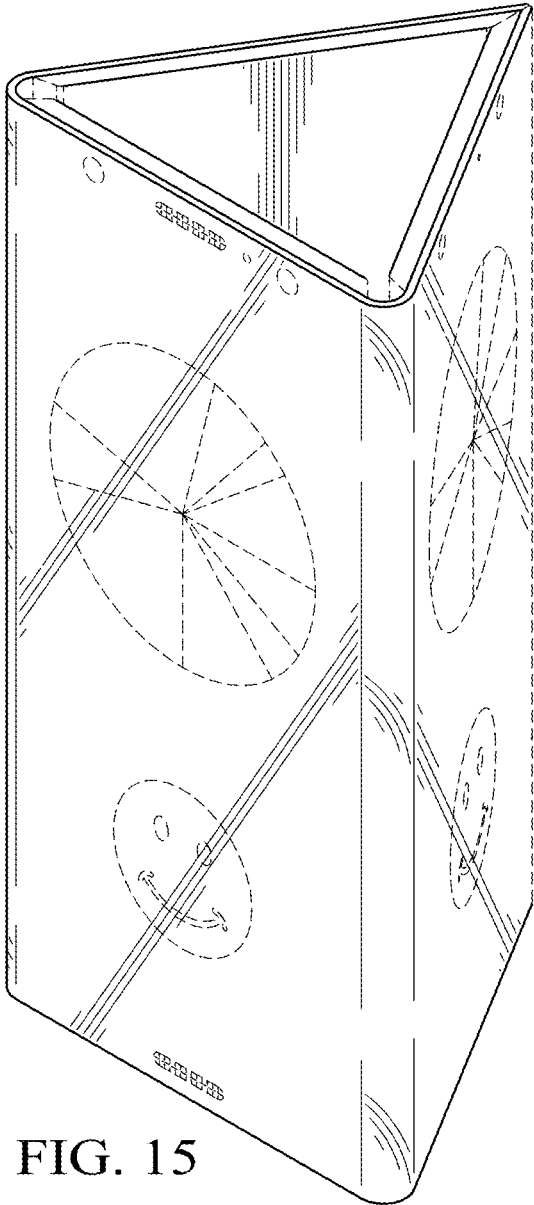


FIG. 15

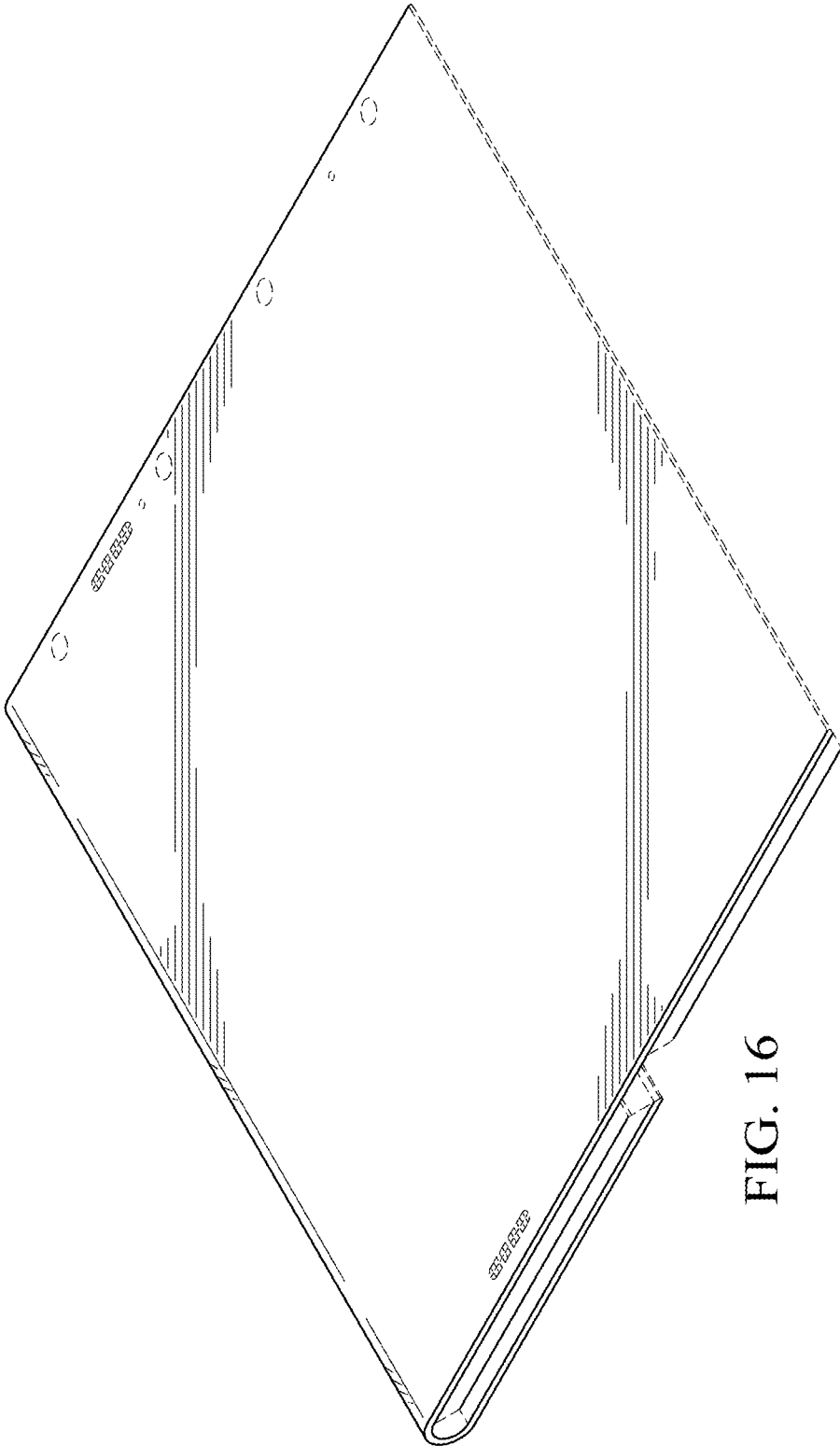


FIG. 16



FIG. 17







FIG. 19

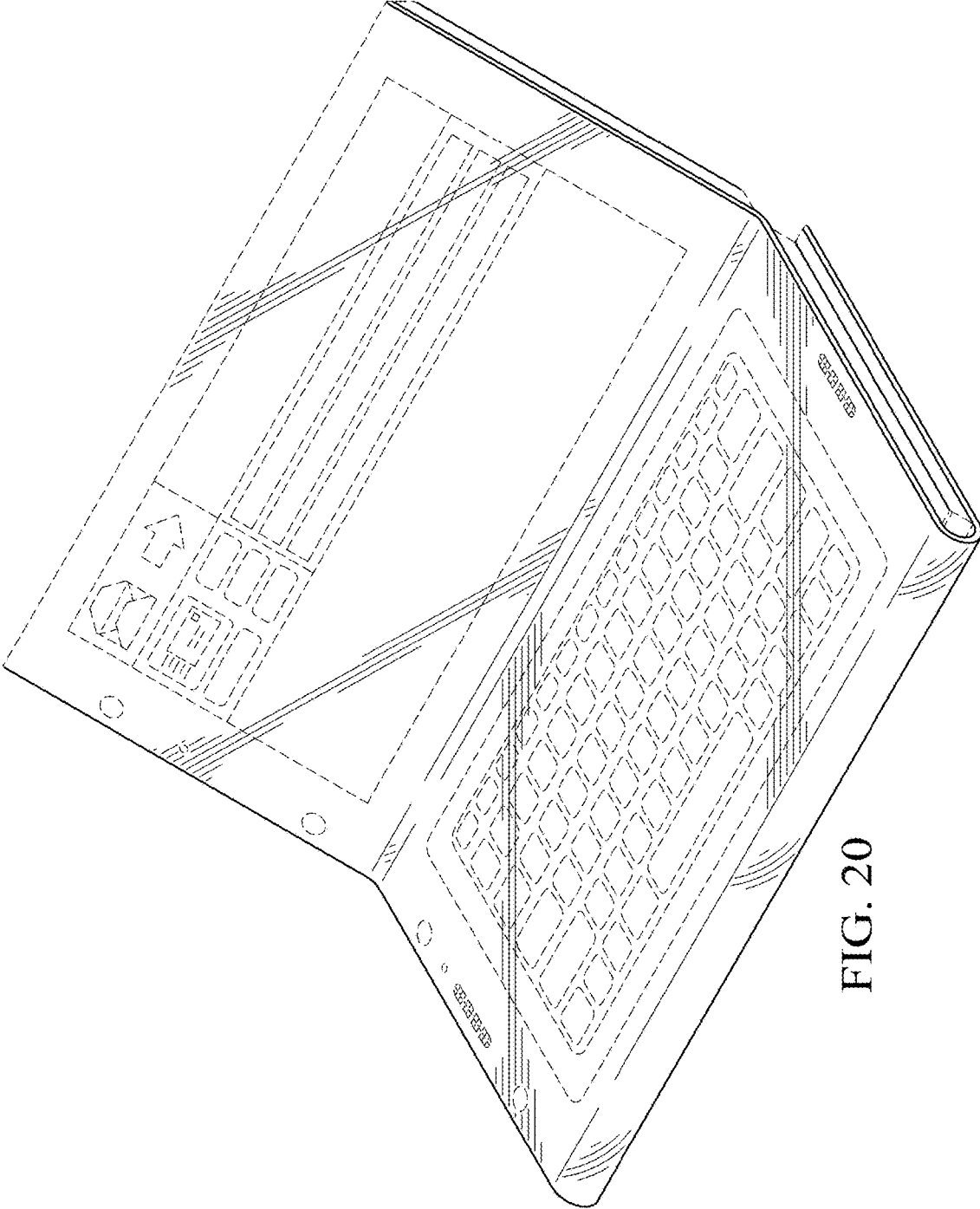


FIG. 20

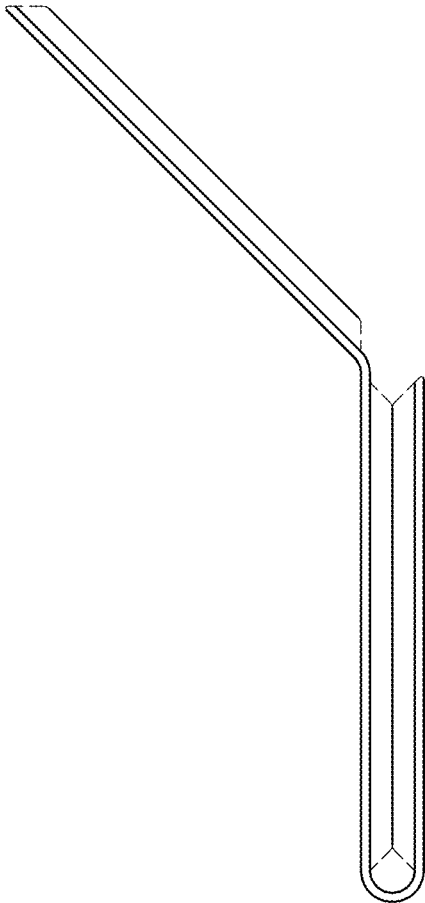


FIG. 21

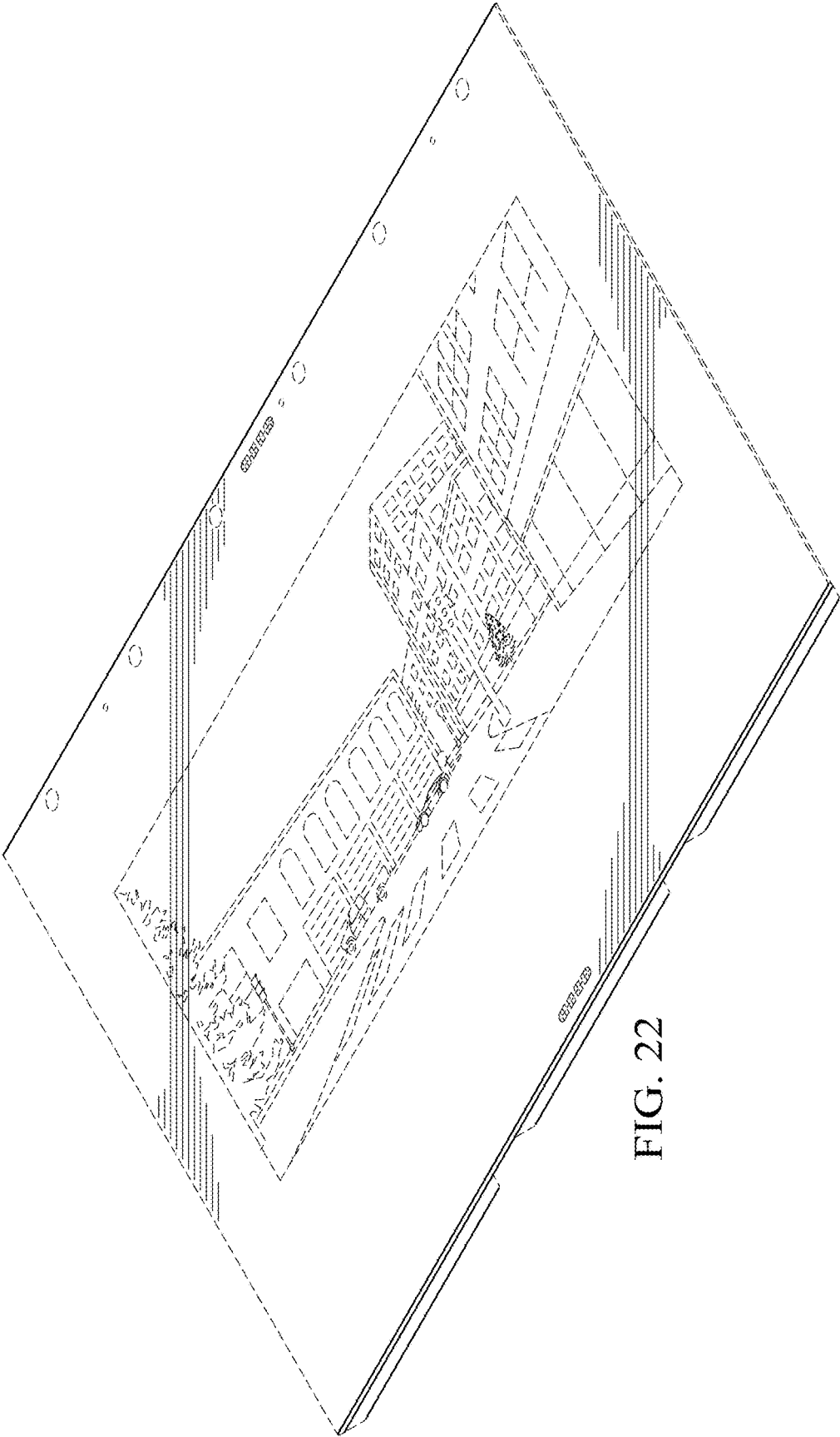


FIG. 22

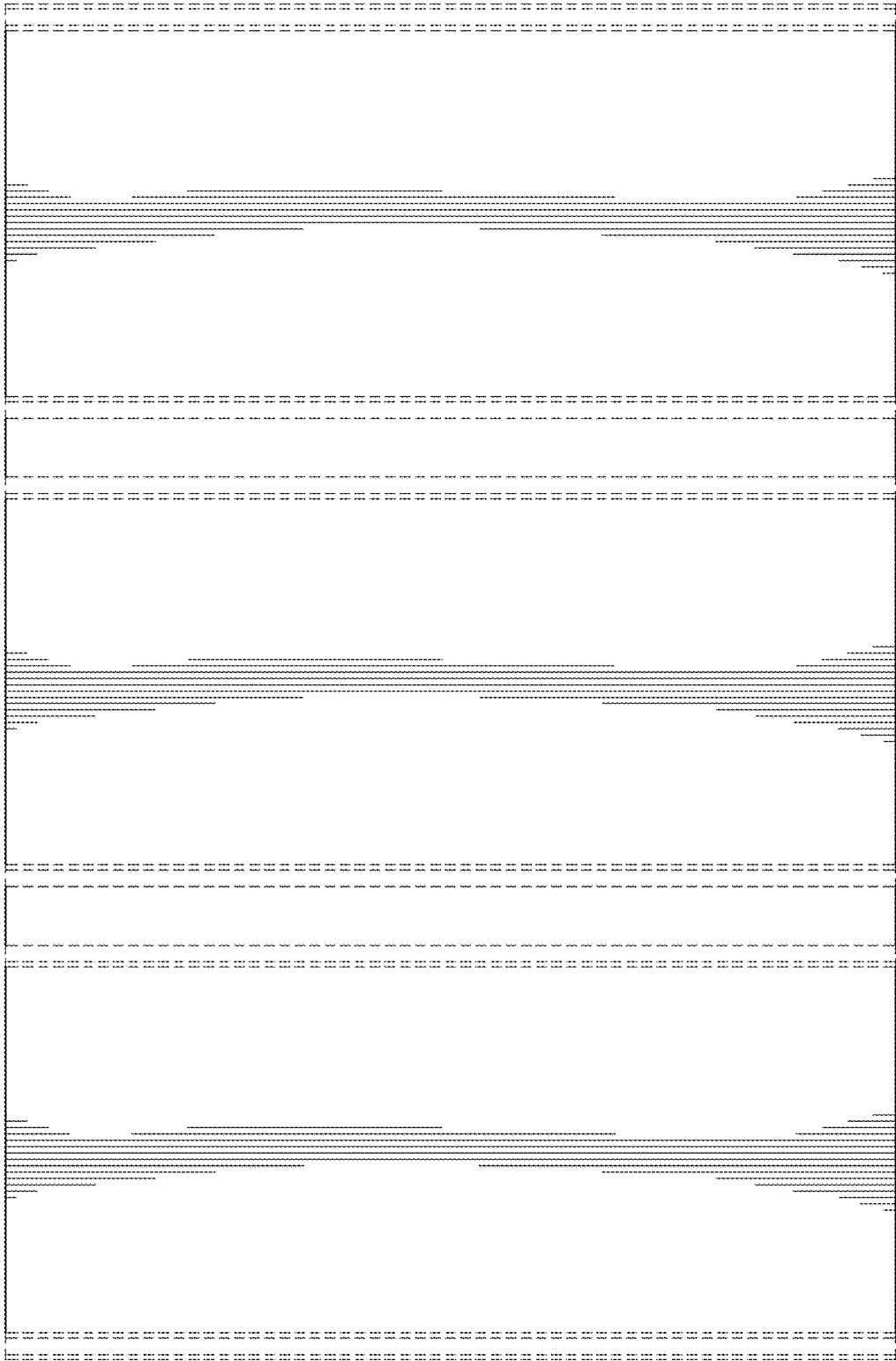
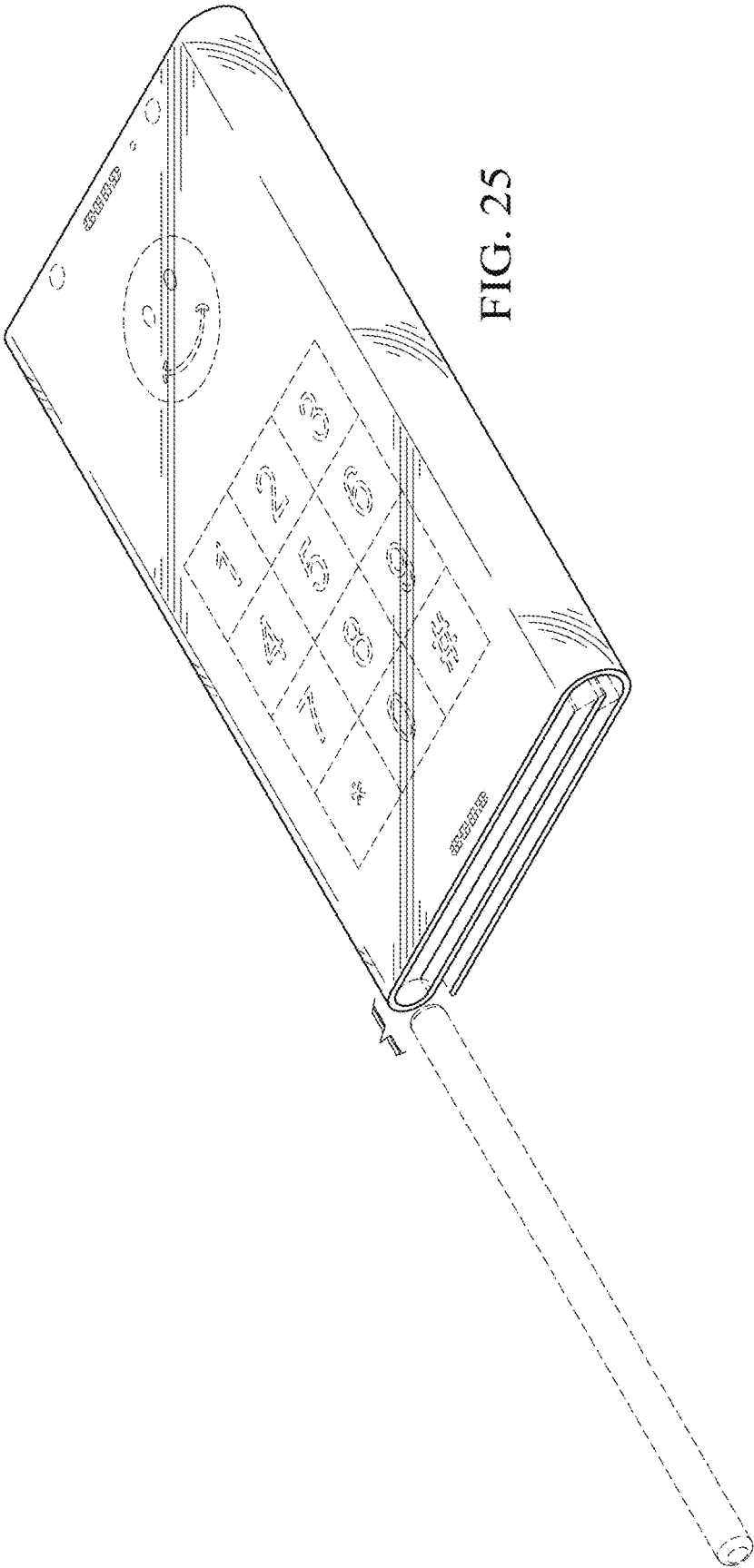


FIG. 23



FIG. 24





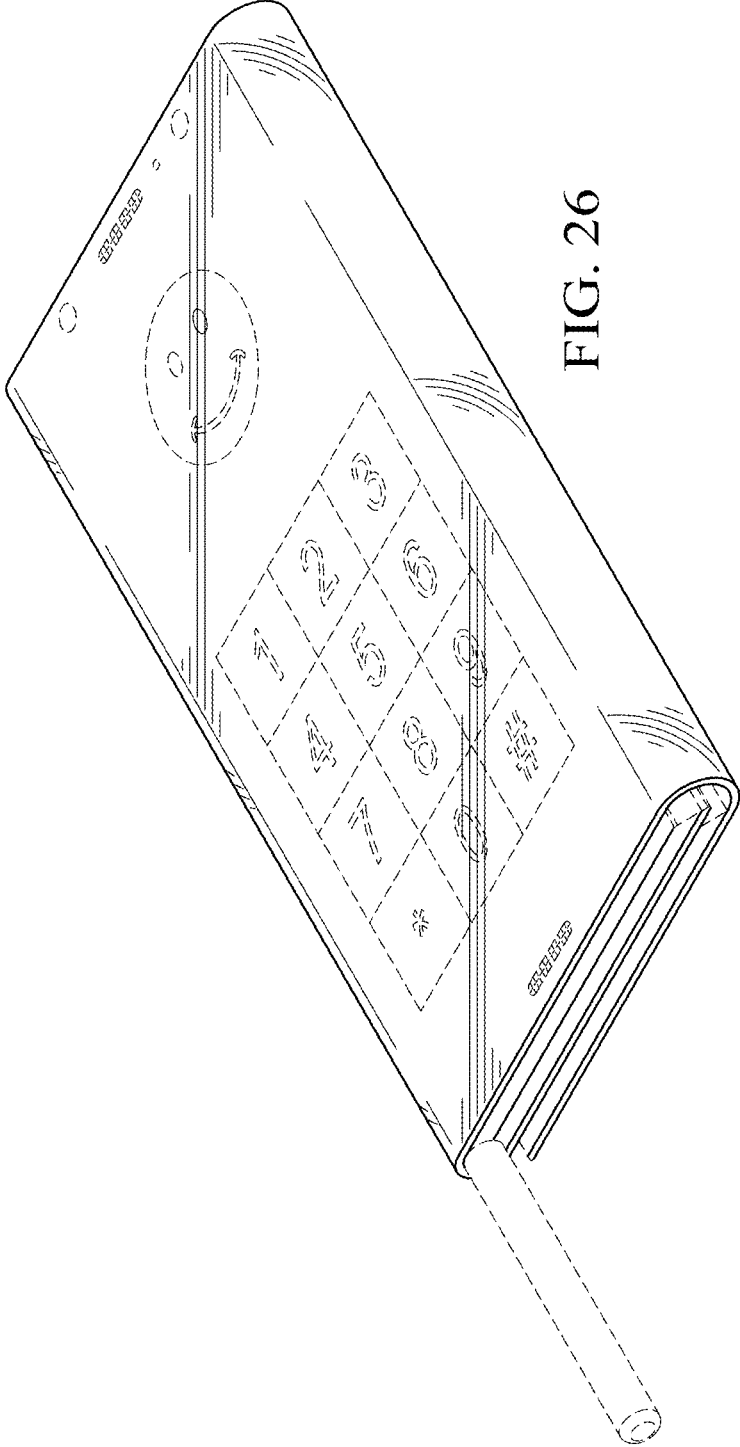


FIG. 26

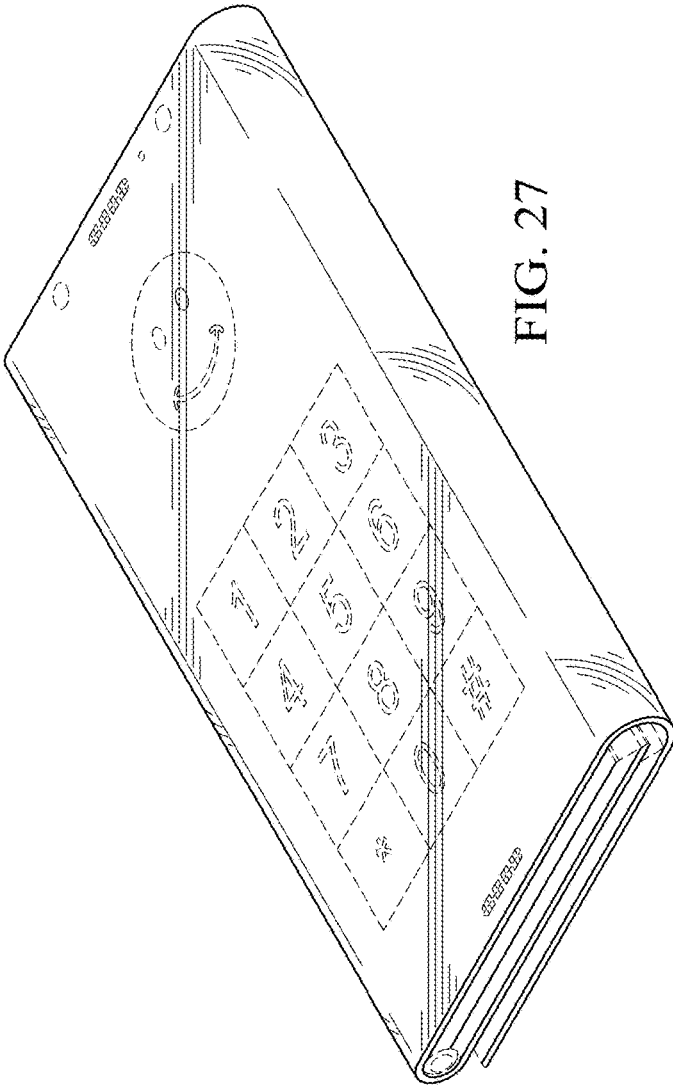


FIG. 27



FIG. 28